

DHI-BDC-UZ48

USB CAMERA



- Built-in 48 MP pixel HD camera with a resolution up to 3840 × 2160@30 fps.
- Supports automatic white balance and WDR.
- Supports horizontal images for Android.
- Features hot swapping.

Technical Specification

Video	
Sensor	1/1.8" CMOS
Resolution	48 MP
Pixel	2 μm × 2 μm
Max. Resolution	3840 (H) × 2160 (V)
Min. Illumination	0.1 lux
S/N Ratio	>50 dB
Data Format	MJPEG, YUY2, H.264, H.265, NV12
Lens Type	Fixed-focal
Video Frame Rate	MJPEG: 3840 × 2160@30; 2880 × 1620@30; 1920 × 1080@30; 1920 × 1680@30; 1280 × 720@30; 960 × 540@30; 640 × 360@30; 480 × 270@30; 320 × 180@30 H.264: 3840 × 2160@30; 2880 × 1620@30; 1920 × 1080@30; 1920 × 1680@30; 1280 × 720@30; 960 × 540@30; 640 × 360@30; 480 × 270@30; 320 × 180@30 H.265: 3840 × 2160@30; 2880 × 1620@30; 1920 × 1080@30; 1920 × 1680@30; 1280 × 720@30; 960 × 540@30; 640 × 360@30; 480 × 270@30; 320 × 180@30 YUY2: 640 × 480@30; 640 × 360@30; 480 × 270@30; 320 × 180@30 NV12: 960 × 540@30; 640 × 360@30; 480 × 270@30; 320 × 180@30
Lens	
Focal Length	4 mm
Max. Aperture	F1.6
Field of View	H: 87°; V: 49°; D: 99°
Function	
White balance	Yes
Exposure Mode	Auto

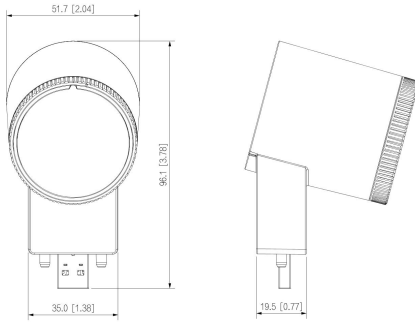
Port	
USB	1 × USB 2.0, Type A
Power	
Operating Voltage	5 V
Operating Current	Max. 1 A
Power Consumption	Max. 5 W
Environment	
Operating Temperature	−10 °C to +50 °C (+14 °F to +122 °F)
Operating Humidity	20%–80% (RH)
Storage Temperature	−10 °C to +60 °C (+14 °F to +140 °F)
Storage Humidity	20%–90% (RH)
Structure	
Product Dimensions	51.7mm × 68.0mm × 96.1mm (2.04" × 2.68" × 3.78") (L × W × H)
Packaging Dimensions	138 mm × 84mm × 95 mm (5.43" × 3.31" × 3.74") (L × W × H)
Net Weight	0.12 kg (0.26 lb)
Gross Weight	0.15 kg (0.33 lb)
Accessory	User's manual x 1
Certification	
Certifications	CB, FCC, IC

Ordering Information

Type	Part Number	Description
USB CAMERA	DHI-BDC-UZ48	USB CAMERA

DHI-BDC-UZ48

Dimensions (mm[inch])



Panels

